

FIERY XJ80e

PARTS CATALOG

PARTS CATALOG

INTRODUCTION

This chapter instructs you the numbers and names of parts on this machine.

INDEX to PARTS CATALOG

FIERY XJ 80e

FIERY XJ80e

PARTS CATALOG

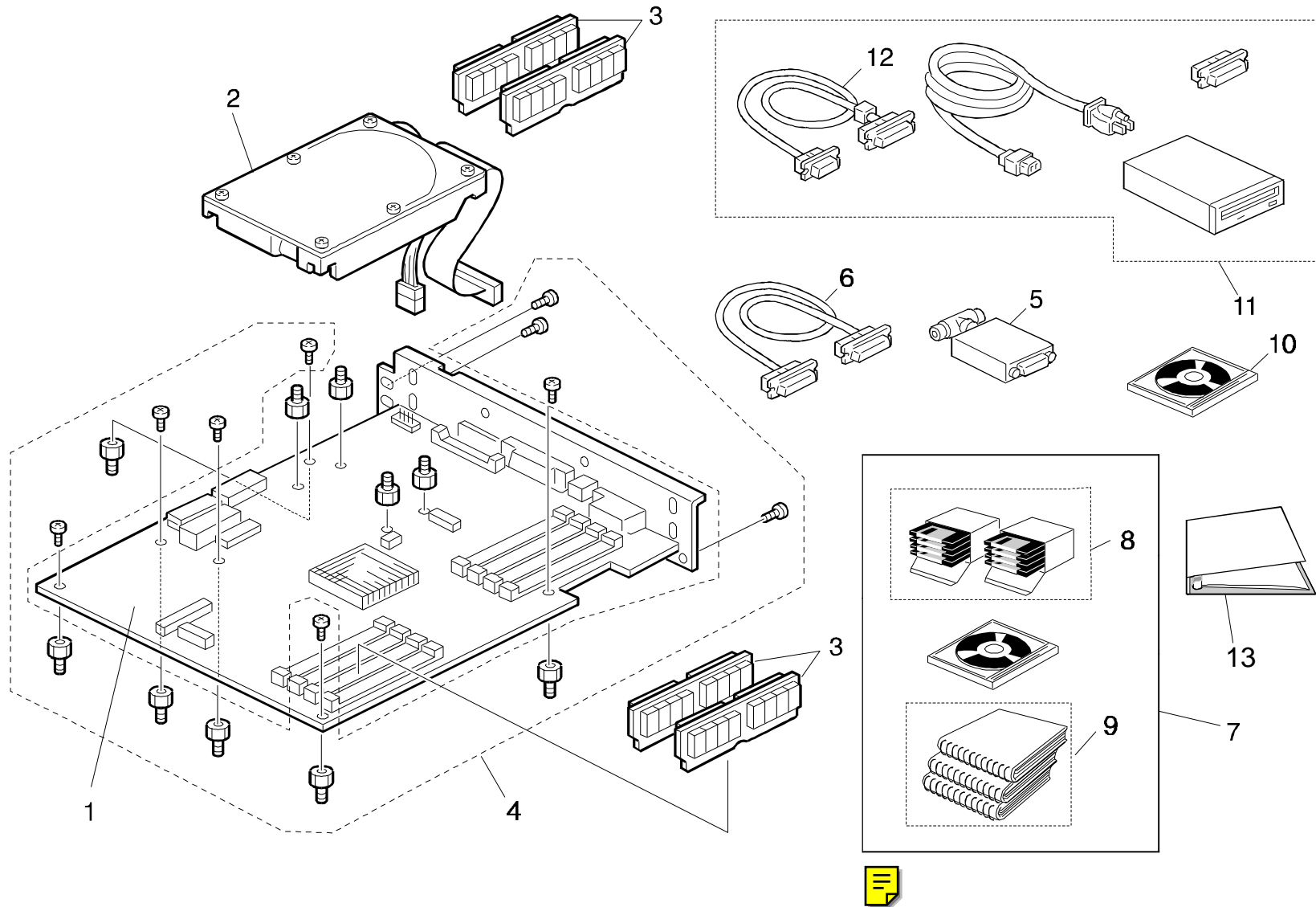
INTRODUCTION

This chapter instructs you the numbers and names of parts on this machine.





INDEX to PARTS CATALOG

1.FIERY XJ80e (A724-43/44).....	2
PARTS INDEX	5

1. Fiery XJ80e (A724-43/44)



1. Fiery XJ80e (A724-43/44)

Index No.	Part No.	Description	Q'ty Per Assembly
# 1	A724 5353	XJe Contoroller Board	1
# 2	A724 5350	2.1GB SCSI HDD W/OS/W	1
# 3	A724 5071	8MB SIMM	1
4	A724 5356	Screws And Standoffs	1
5	A724 5112	AUI/BNC Transceiver	1
6	A724 5304	36pin Centronics Cable	1
7	A724 5352	XJ80e Media Pack English	1
8	A724 5363	Doc Pack English V3.0 XJe	1
9	A724 5364	Disk Pack English V3.0	1
10	A724 9600	Fiery Xj80e System CD	1
#11	A724 9601	CD Rom Drv Assembly - US (115V)	1
#11	A724 9602	CD Rom Drv Assembly - Int'l (230V)	1
12	A724 5267	SCSI Cable - Full/Half	1
13	A724 9850	XJ80e Service Manual - E	1
	 	 	
		#:Objective part for RMA	

Index No.	Part No.	Description	Q'ty Per Assembly

PARTS INDEX

Part No.	Description	Page and Index No.
A724 5071	8MB SIMM	3- 3
A724 5112	AUI/BNC Transceiver	3- 5
A724 5267	SCSI Cable - Full/Half	3- 12
A724 5304	36pin Centronics Cable	3- 6
A724 5350	2.1GB SCSI HDD W/OS/W	3- 2
A724 5352	XJ80e Media Pack English	3- 7
A724 5353	XJe Contoroller Board	3- 1
A724 5356	Screws And Standoffs	3- 4
A724 5363	Doc Pack English V3.0 XJe	3- 8
A724 5364	Disk Pack English V3.0	3- 9
A724 9600	Fiery Xj80e System CD	3- 10
A724 9601	CD Rom Drv Assembly - US (115V)	3- 11
A724 9602	CD Rom Drv Assembly - Int'l (230V)	3- 11
A724 9850	XJ80e Service Manual - E	3- 13

Part No.	Description	Page and Index No